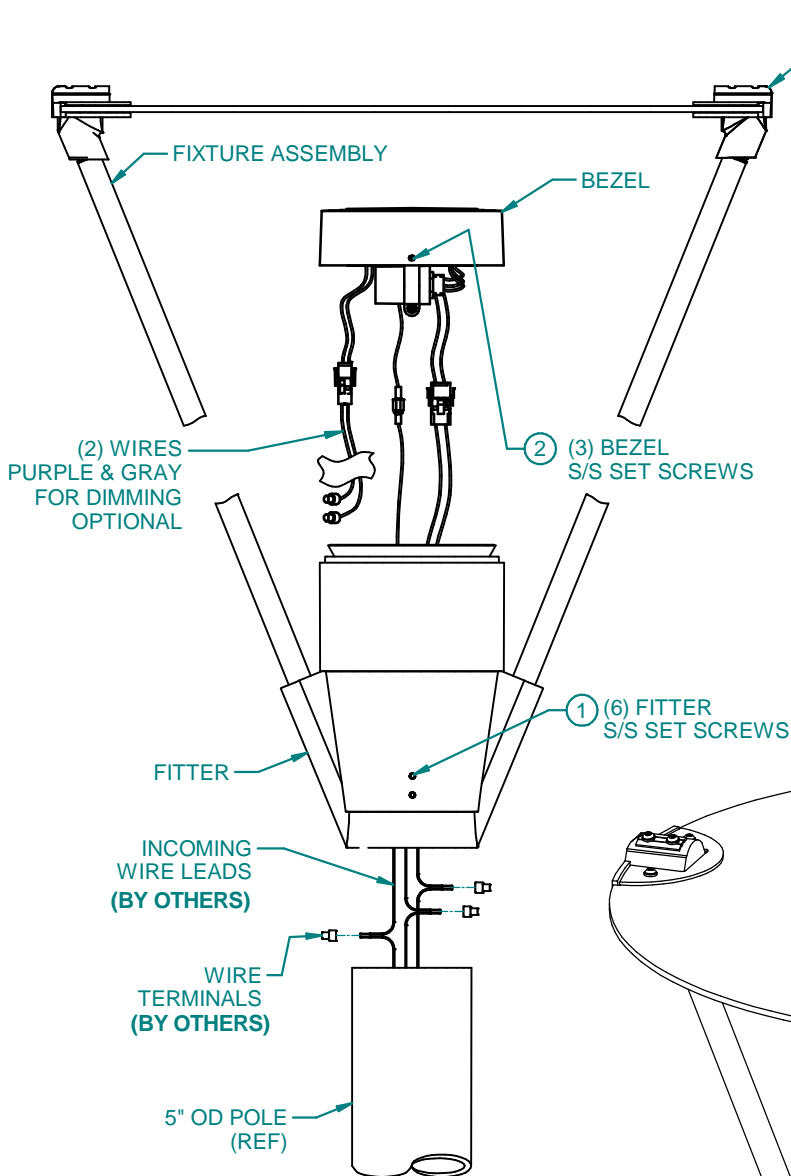


INSTALLATION INSTRUCTIONS

CATALOG NUMBER

INDF-LED

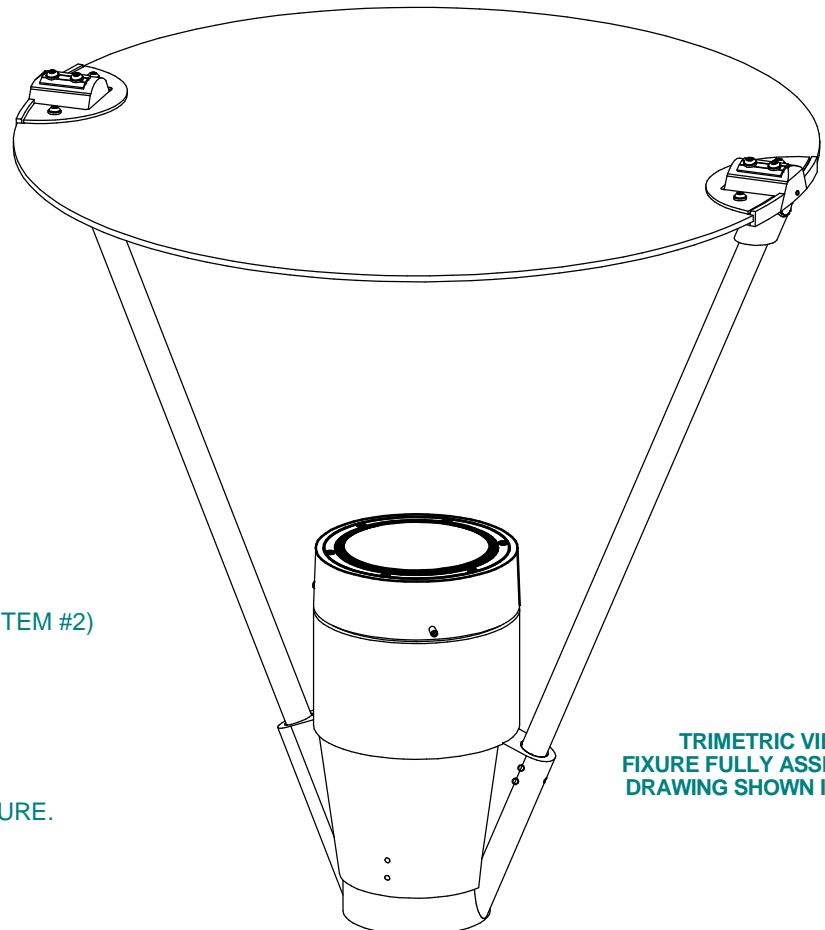


INSTALLATION STEPS:

1. **TURN OFF POWER.**
2. MAKE WIRE CONNECTIONS AND SLIP FIXTURE ASSEMBLY OVER 5" O.D. POLE.
3. ROTATE FIXTURE TO DESIRED ORIENTATION. SECURELY TIGHTEN (6) S/S FITTER SET SCREWS (ITEM #1).
4. TURN ON POWER AND CHECK FOR OPERATION.
5. **INSTALLATION COMPLETE.**

TO SERVICE DRIVER:

1. **TURN OFF POWER.**
2. LOOSEN (3) BEZEL S/S SET SCREWS (ITEM #2) AND REMOVE BEZEL FROM FITTER.
3. DISCONNECT WIRE CONNECTORS.
4. SERVICE DRIVER AS NEEDED.
5. TO RE-ASSEMBLE, REVERSE PROCEDURE.
6. **INSTALLATION COMPLETE.**



TRIMETRIC VIEW
FIXTURE FULLY ASSEMBLED
DRAWING SHOWN INDF-RD